

Overview and General Specifications

Enova DGX 8/16/32 Digital Media Switchers are available in various configurations in increments of four up to 8x8, 16x16, and 32x32 respectively. Therefore, the illustrations may differ from the model(s) purchased. The *Instruction Manual – Enova DGX 8/16/32 Digital Media Switchers* contains complete documentation (including board specifications and supported resolutions); see www.amx.com. Each enclosure contains an integrated NetLinX Central Control Processor.

General Specifications	
Approvals	CE, UL, cUL, FCC Class A, RoHS
AC Power	100 VAC to 240 VAC single phase 50 Hz to 60 Hz
Power Consumption	DGX 8 / DGX 16: • Max 977 Watts w/redundancy; 1954 Watts w/out DGX 8: Typical 145 Watts, fully loaded enclosure DGX 16: Typical 362 Watts, fully loaded enclosure DGX 32: • Max 1379 Watts w/redundancy; 2758 Watts w/out • Typical 585 Watts, fully loaded enclosure
Thermal Dissipation	DGX 8 / DGX 16: • Max 3334 BTU/hr. w/redundancy; 6667 w/out DGX 8: Typical 495 BTU/hr., fully loaded enclosure DGX 16: Typical 1235 BTU/hr., fully loaded encl. DGX 32: • Max 4705 BTU/hr. w/redundancy; 9410 w/out • Typical 1996 BTU/hr., fully loaded encl.
Operational Temperature	32° F to 104° F (0° C to 40° C)
Storage Temperature	-22° F to 158° F (-30° C to 70° C)
Storage Humidity/Operational Humidity	0% to 90% RH / 5% to 85% RH (non-condensing)
Compatible Modules / Wallplates	DXLink Transmitters / Receiver / Wallplate TXs DGX Fiber Transmitters / Receivers
Enova DGX 8/16	Enova DGX 32
MTBF: 168,000 hrs.	MTBF: 92,000 hrs.
Depth: 15 in. (38.1 cm)	Depth: 20.08 in. (51 cm)
16 in. (40.64 cm) with extractors	21.08 in. (53.54 cm) with extractors
Width: 19.0 in. (48.26 cm) with rack mounting ears	Width: 19.0 in. (48.26 cm) with rack mounting ears
Height: 6.84 in. (17.37 cm) 4 RU	Height: 10.45 in. (26.54 cm) 6 RU
Weight: Approx. 35 lbs/55 lbs (15.9 kg /24.95 kg) per loaded enclosure	Weight: Approximately 73 lbs (33.1 kg) per loaded enclosure
Shipping Weight: Approx. 45 lbs/65 lbs (20.4 kg /29.5 kg) per loaded enclosure	Shipping Weight: Approximately 83 lbs (37.6 kg) per loaded enclosure

Installation

Rack Mounting

Caution: To prevent overheating, avoid placing high heat-producing equipment directly above/below enclosure. The system requires a minimum of 1 empty rack unit above and below (3 empty rack units are recommended). Verify that the openings on the sides and top of the enclosure are not blocked and do not have restricted airflow.

To rack mount an enclosure (Enova DGX 32 requires a minimum of 2 people):

- Position the enclosure in the rack and secure it with rack mounting screws.
- Provided / recommended for SC Optical Boards – Install cable management bars (A) Enova DGX 32 only – Remove number plate at rear port. (B) Fasten bar with two screws on one end of the board and one screw at the other (the long part of the bar is to the right of holes); do not over tighten. (C) Replace the number plate.

Attaching Input and Output Cables

Generally, any input board in an Enova DGX Switcher can route signals to any type of output board; the signal format is automatically converted to match the output board. Note that DGX SC Optical Boards do not support HDCP.

DXLink™ Twisted Pair Input and Output Boards require DXLink™ Transmitters and Receivers. SC Optical Input and Output Boards require DGX Fiber Transmitters and Receivers. For details, see each product's *Quick Start Guide* or *Instruction Manual*.

For testing purposes, attach just the first two source and destination devices (and any required transmitters or receivers).

Enova DGX AIE, HDMI, DVI, and DXLink Boards

AIE Boards – These boards are documented separately. **Before wiring audio**, the AIE boards **must** be uninstalled, have their DIP switches set, and be reinstalled. For directions, see the *Quick Start Guide - Enova DGX Audio Insert/Extract Board*.

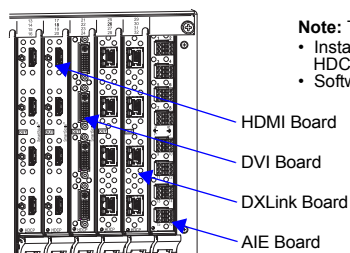


FIG. 1 HDMI, DVI, DXLink, and AIE Boards

Note: The *Instruction Manual* contains information on:

- InstaGate Pro Technology (easy switching of HDCP protected content) for HDMI.
- Software for scaling and EDID programming.

Note: System setup for DXLink Boards is similar to FIG. 2, only with DXLink TXs and RXs installed between the DXLink Boards and the source and destination devices.

HDMI Boards (HDCP 1.4) – Inputs and outputs incorporate HDMI® technology. HDMI connectors route high-resolution HDMI or DVI signals with or without HDCP. For single-link DVI signals, use a cable adapter.

DVI Boards (HDCP 1.4) – Inputs and outputs are HDMI compatible. DVI output pin 14 (+5 VDC out) supplies 50 mA per each of the four output connectors. By changing the EDID, DVI Boards can route HDMI.

DXLink Boards – Inputs and outputs incorporate HDMI technology. Use with DXLink Transmitters / Receivers, which automatically adjust the scaling and image and almost always result in a quality image on the monitor. If the setup has special requirements or adjustment is needed, see the *Instruction Manual*.

Important: DIP switches **must** be set on the DXLink Transmitters and Receiver before units are cabled to the switcher via its DXLink Boards. For information on DXLink modules or wallplates, see the *Quick Start Guide* that applies.

Audio EDID Settings

HDMI, DVI, and DXLink Boards ship with a basic audio EDID configuration. To optimize audio for your system, you may need to replace default EDID settings. Custom EDID files and DGX Configuration Software are available on the AMX *AutoPatch CD* and at www.amx.com. For information, see the *Instruction Manual – Enova DGX 8/16/32 Digital Media Switchers* or look in the software's Help file.

DGX Board Default EDID Files

- HDMI and DXLink – AMX_HDMI1_A2_basicAudio.edid¹
- DVI – AMX_DVI1_A0.edid¹

DGX Board Custom EDID Files

- 1080p (VIC 16) – AMX_HDMI1_A1.edid²
- 1080p (VIC 16) – AMX_HDMI1_A1_basicAudio.edid¹
- 720p (VIC 4) – AMX_HDMI1_A1_720p.edid²
- 720p (VIC 4) – AMX_HDMI1_A1_720p_basicAudio.edid¹

¹ - Supports basic audio only (L-PCM 32 k, 44.1 k, and 48 k)

² - Supports up to 192 k for L-PCM, 48 kHz Dolby (5.1), and 48 kHz DTS (5.1)

Epica DGX SC Optical Boards – SC Fiber Connectors

Epica DGX SC Optical Boards are compatible in Enova DGX Switchers.

Safety Recommendations for Laser Products

Important: No user serviceable parts are inside an Enova DGX enclosure; service should only be done by qualified personnel.

Warning: Use of controls or adjustments or performance of procedures other than those specified herein may result in hazardous radiation exposure.

Exercise caution to avoid direct eye exposure to invisible laser radiation. Follow the recommendations below whenever installing or working with DGX fiber products.

- Be sure to apply the power only after all fiber connections are made and no fiber ends are exposed.
- Do not remove dust plugs from SC fiber connectors or the dust caps from the fiber cables until establishing connections; **avoid direct eye exposure**.
- Make sure all cables, including fiber cables, are correctly connected and/or terminated.
- Before you unplug a fiber cable on an input board, disconnect the power on the DGX TX that is connected to the input.
- Before you unplug a fiber cable on an output board, disconnect the switch for that output connector.

Each board has four SC fiber connectors (remove plug to attach cable). These boards are used in conjunction with DGX Fiber TX and RX Modules. Signals routed through these boards normally do not require any adjustment, as the DGX Fiber Modules automatically scale and adjust the signal as necessary. Set up the modules according to their *Quick Start Guide*, installing a TX between each input board and the source device and an RX between each output board and the destination device (FIG. 2).

Caution: For SC Optical Boards, we recommend using the provided cable management bars or some other type of cable management system to avoid damage to fiber cables.

Caution: Do not severely bend or kink the fiber cable. Irreversible damage can occur. Refer to the physical limitations (bend radius) specified for the cable by manufacturer. The bend radius for AMX SC terminated fiber cables is 2 inches (5 cm).

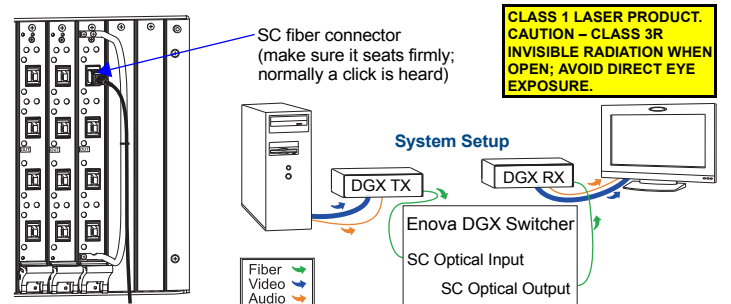


FIG. 2 SC fiber cable attached to input; system setup with DGX Fiber TX and RX Modules

Applying Power and Startup

Note: We recommend using a surge protector and/or an AC line conditioner.

To apply power:

1. Plug power cords into both power receptacles.
2. Plug the other ends of the power cords into a power strip (we recommend using a 20 A circuit breaker on a 110 circuit for fully loaded enclosures).

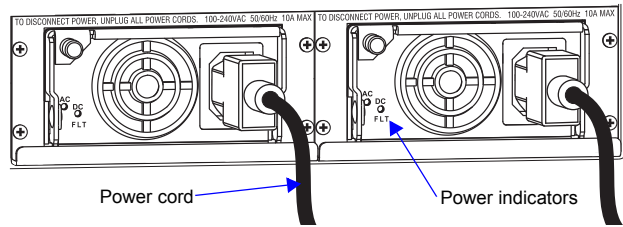


FIG. 3 Power cords plugged into receptacles (power supplies for Enova DGX 8/16 shown)

3. Turn on the power strip and wait 30 seconds.
4. Check the Indicator LEDs on front and rear of the enclosure; see the table below.
5. For systems with boards that require modules – Apply power to the modules.
6. Apply power to the source and destination devices.

Note: If only one power supply is working, the Power indicator on the front of the enclosure will illuminate red (check the power connections).

If indicator lights do not respond with a normal display as stated in the table below, check power connections and see the troubleshooting information in the manual before contacting technical support.

Indicator LEDs – Normal Display on Power Up		
Front Panel	Power – power status	Green (when both power supplies are working)
Power Supplies (DC is Tri-color)	AC power	Green
	• DC power • Temperature • Fault status	Green (amber = over temperature; red = fault state)
CPU	Status – system status	• Green during boot up (depending on load, approximately 10 to 30 seconds) • Blinking green at 1 second intervals when ready

Executing a Test Switch with the Control Panel

The Enova DGX Control Panel (standard on all enclosures) is used for controlling the system's switches and system attributes.

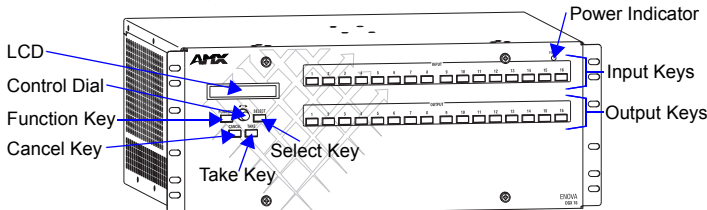


FIG. 4 Front view with control panel (Enova DGX 16 shown)

Control Panel Keys and Dial

- **Function Key** – Press for start of the Function menu anytime during operation.
- **Select Key** – Press to enter selections.
- **Cancel Key** – Press to cancel an incomplete operation.
- **Take Key** – Press to complete an operation.
- **Control Dial** – Turn to scroll through the Function menu (starts with Change for switching). After scrolling past the last item, menu loops back to the first item.

To execute a test switch:

1. From the Function menu, locate Disconnect by scrolling with the Control Dial and then press the Select Key.
2. Press Input Key 1; press the Take Key.
The default switch of 1 to all is disconnected.
3. Press the Function Key; press the Select Key to select Change.
The available Input and Output Keys turn blue.
4. Press Input Key 1. Input Key 1 flashes white.
5. Press Output Key 1. Output Key 1 illuminates white.
6. Press the Take Key to execute the switch. Both keys turn blue.

After the test switch, attach the remaining sources and destinations. For DXLink or SC Optical Boards, install appropriate modules between the boards and the devices.

Establishing a LAN Connection

The Enova DGX Switcher has an integrated NetLinX Central Control Processor with the server connection via the LAN 100/1000 port on the CPU.

Important: (1) The Enova DGX 32 uses DHCP by default. (2) Do not connect the LAN 100/1000 port on the Enova DGX Switcher directly to a PC. It will not work.

Note: If an HDCP signal is switched from an HDMI, DVI, or DXLink Input Board to a destination which does not support HDCP or to an SC Optical Output Board (no HDCP support), a dark red image displays indicating authentication failure (the image may also be bright orange when an HDCP signal is switched via DXLink).

For warranty information, see www.amx.com.

01/2013

©2013 AMX. All rights reserved. AMX and the AMX logo are registered trademarks of AMX.

AMX reserves the right to alter specifications without notice at any time.

3000 RESEARCH DRIVE, RICHARDSON, TX 75082 • 800.222.0193 • fax 469.624.7153 • technical support 800.932.6993 • www.amx.com

Cable Requirements for the LAN Connection

Connect the LAN port on the Enova DGX Switcher directly to a LAN (network) with an RJ-45 cable (crossover or straight-through; port automatically adjusts). A DHCP capable server must be in the network.

To connect an Enova DGX Switcher to a LAN:

1. If the system is not already powered, apply power according to the directions at the top of the column to the left.
2. Insert one end of an RJ-45 link cable into the LAN 100/1000 port.
3. Connect the other end of the RJ-45 link cable to a LAN hub or switch.
The network will automatically assign a DHCP IP address.

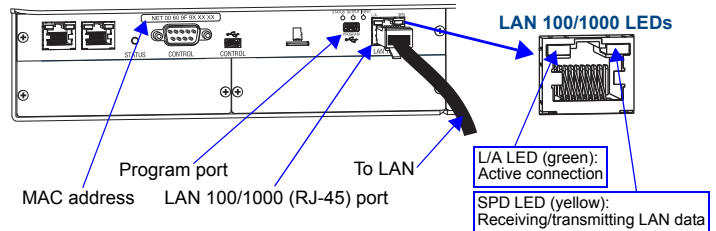


FIG. 5 LAN 100/1000 (RJ-45) port and Indicator LEDs

4. Check indicator LEDs for the LAN 100/1000 port (FIG. 5).

Note: The Program port is used for NetLinX Studio setup.

Important: The RJ-45 connectors on the far left of the CPU should only be used to connect to autonomous devices to prevent network loops (linking of enclosures is not allowed).

For additional details on setup of the NetLinX Master via the WebConsole and control via the integrated NetLinX Central Control Processor, see the *Instruction Manual*.

Establishing Serial Control (if applicable)

An Enova DGX Switcher can also be controlled by attaching an external control device/system to the Control (RS-232) port.

PC Requirements for BCS commands* via a terminal emulation program:

- Windows 7® or Windows XP Professional®
- Serial port (or USB port – see the *Instruction Manual*)

* Complete BCS (Basic Control Structure) information can be found in the *Instruction Manual – BCS Protocol* on the *AMX AutoPatch CD* and at www.amx.com.

To establish external control from RS-232 serial port:

1. If the system is not already powered, apply power according to the directions at the top of the column to the left.
2. Plug the null modem serial cable into the serial port on the enclosure (FIG. 6).
3. Plug the other cable end into the serial port on the serial controller/device (PC).
4. Open the serial communication software and set the port settings on the PC to match the Enova DGX Switcher default settings (baud rate = 9600, data bits = 8, stop bit = 1, parity = none, and flow control = none).

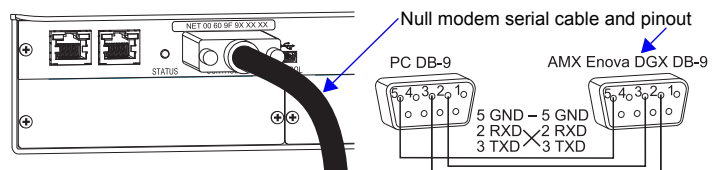


FIG. 6 Null modem serial cable connected to Control (DB-9) serial port

External Serial Control via BCS – Test Switch

BCS Commands – Open terminal emulation program on PC. When power is applied to the enclosure, a short splash screen appears. Enter `DI1T` (clears default switch of 1 to all). Enter `CI1O2T` (routes Input 1 to Output 2 on default level). When `CI1O2T` appears, the switch is successful.

Additional Information Covered in Instruction Manual

See the *Instruction Manual – Enova DGX 8/16/32 Digital Media Switchers* on the *AMX AutoPatch CD* or at www.amx.com for information on the following:

- NetLinX programming and firmware upgrades
- Complete control panel operation
- DGX Configuration Software with Scaler and EDID Programmer functionality, a terminal emulation view, and the ability to enable or disable HDCP
- Setup for complete power redundancy with redundant power supplies
- Managing configuration files with XNConnect
- Adding or replacing boards
- APDiagnostics software (monitors and displays advanced diagnostic data)
- Programmer's interface for system diagnostics; DGX_SHELL commands

Reference Documents

- *Instruction Manual – DXLink™ Twisted Pair Transmitters/Receiver*
- *Instruction Manual – DGX Transmitters & Receivers*
- *WebConsole & Programming Guide – NetLinX Integrated Controllers*
- *Instruction Manual – BCS (Basic Control Structure) Protocol*

93-1058-001 REV: E

